

## MEIDJO 2.1 - winter 2018

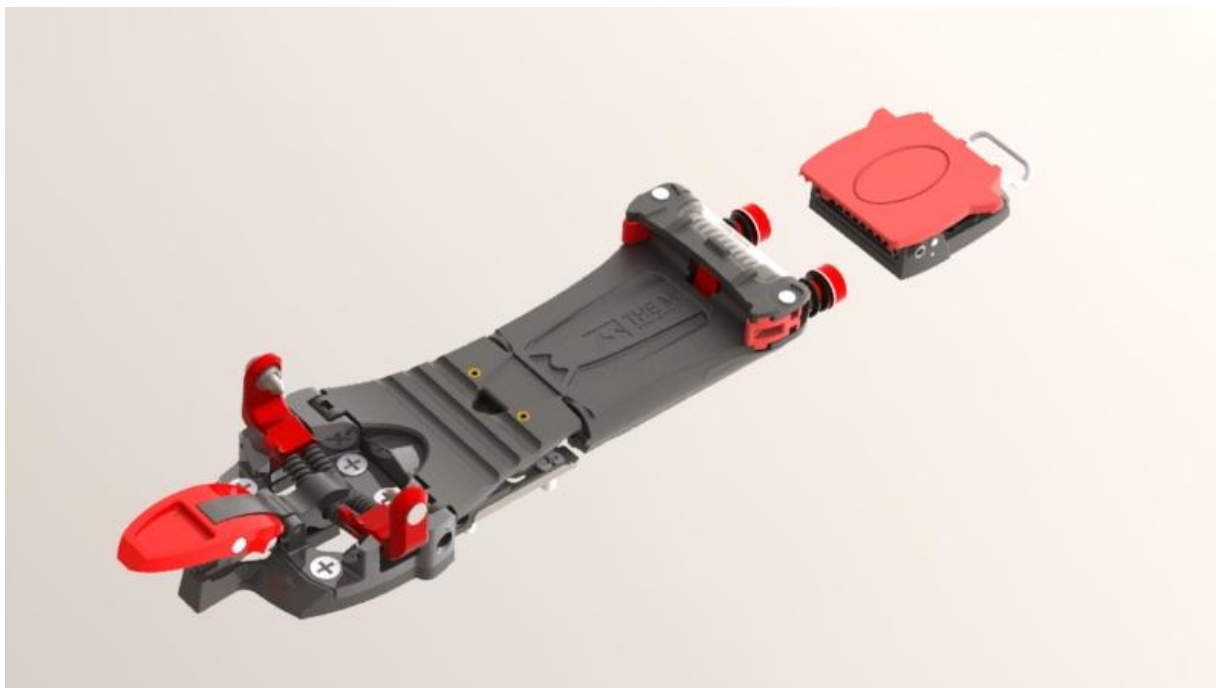
### Object :

This document presents the updates of MEIDJO 2.1 for this new season 2018. Initially planned for the winter 2019, we introduced all these evolutions this winter because the validation tests were conclusive. Most upgrades are compatible with version 2.0.

### MEIDJO 2.1

The main visual change MEIDJO 2.1 is the "winged" heel set, but several other details are located underneath and are not visible in this photo. The changes are:

- The winged heel set
- Anti snowpack protection + new spring leever plate
- The red bar and the touring plate
- the spring box



The users feedbacks over the past two seasons has highlighted demands for improved hiking mode and greater ease of handling with secure modes:

- Better heel support in vertical position
- Easy lifting of the red heel set in vertical position
- Improve the reliability of the heel set spring
- Improve the blocking of the spring box in touring mode (which sometimes jumped)
- Remove the snowpack under the flextor when practicing tele in powder
- Allowing the skis brakes to be mounted without dismantling the binding
- Reinforce the grip of the binding on light ski

## 1 New heel set "winged"

### Easier, more pleasant and more reliable

The new "winged" heel set is much easier to use in hiking mode. It presents three evolutions:

- Lateral wings: raising the heel set with the pole basket has never been easier
- The central hole is closed to eliminate the risk of snow accumulation under the heel. Much more pleasant in powder snow
- The new spring - more powerful and reliable - is internal to the heel strap and no longer supported by the ski. The heel strap has two firm positions: ski mode or touring mode - no more alternatives.



No more snow under the heel



Internal spring



Easy handling

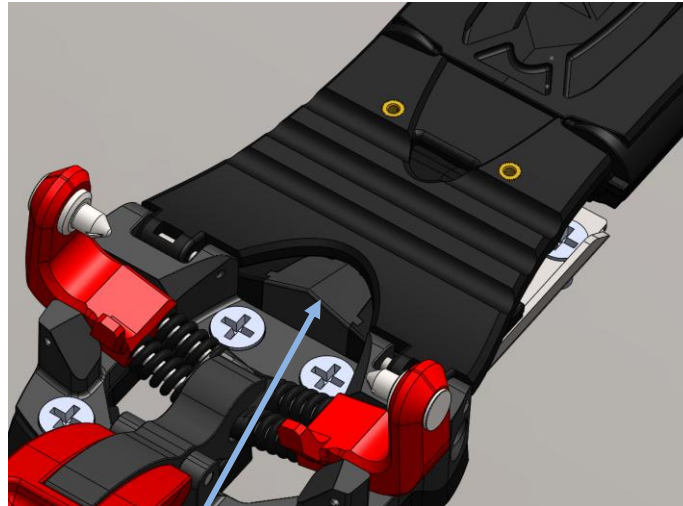


Easy tilting with the pole basket

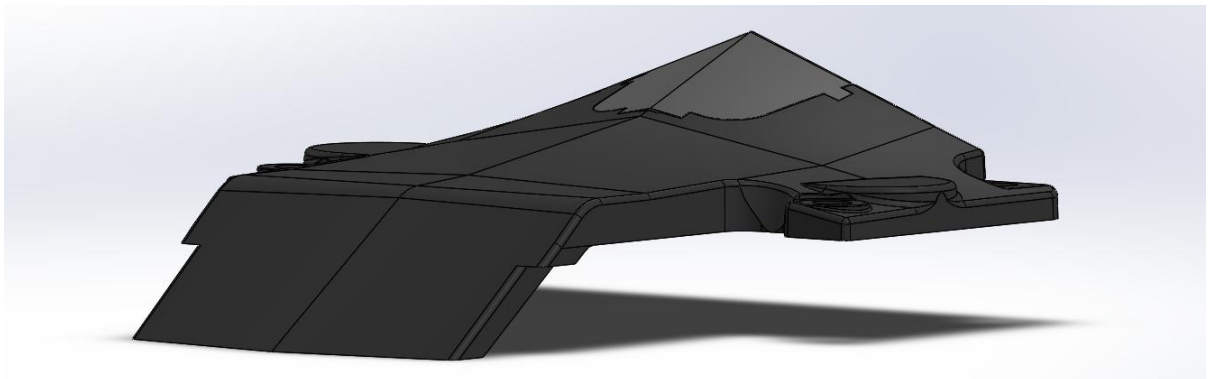
## 2 New Omega spring lever plate and anti snowpack protection

### No more snowpacking, more pleasant and more reliable with simplified ski stop assembly

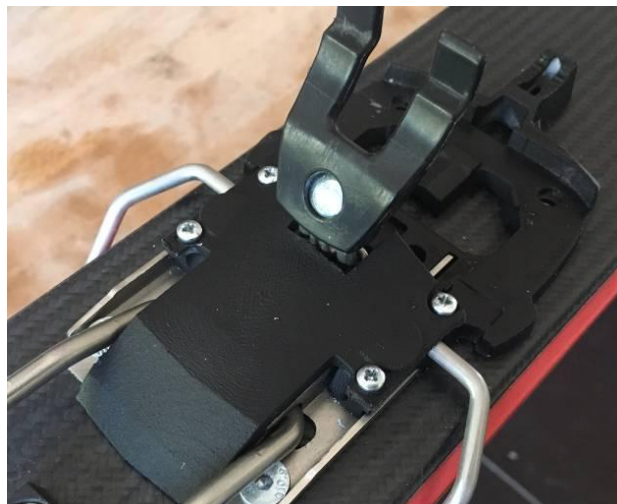
The MEIDJO 2.1 has an integrated anti-snowpack protection that fits on the hoop plate. There's no metal underneath the flextor. Its inverted V-shape allows snow to be evacuated on the sides. This piece also obstructs the clearance under the flextor.



Central part obstructed by anti-snowpack protection



Inverted V-shape for cutting snow - detachable stop-ski passageway

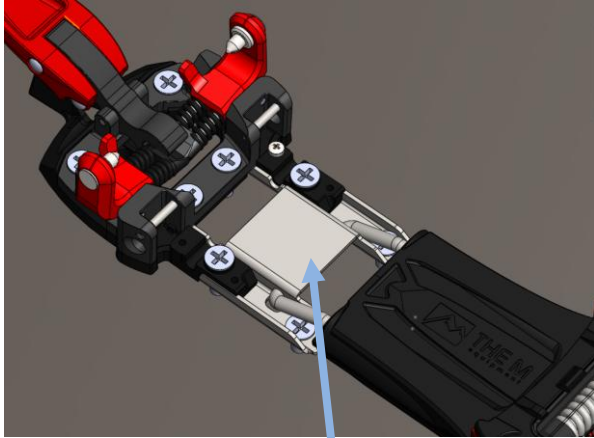


No more metal area in contact with the flextor - no snow pack

**More rigid, ensuring better anchoring in the ski with simplified ski stop assembly**

The new spring lever plate allows for a more rigid assembly with a better distribution of the spring box's tensile forces. Henceforth the forces are distributed on 6 screws (4 screws in the plate and 2 back screws of the low tech which press on the plate). This new plate guarantees a good grip on light hiking skis.

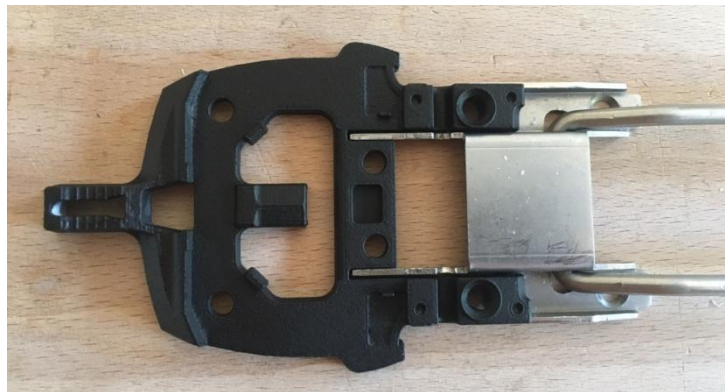
This new spring lever plate also allows the mounting of the ski stops without dismantling the binding, because the ski stop is placed on top of it (see below).



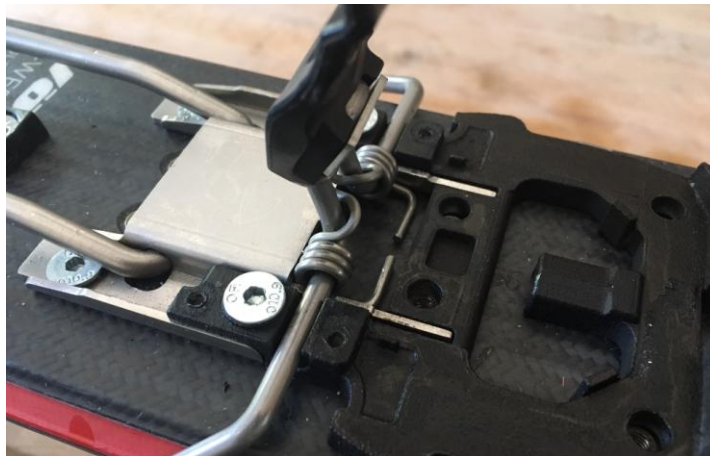
New omega lever plate



New base plate + omega lever plate L



spring lever plate e clipped on the base plate



Stop ski placed on the binding

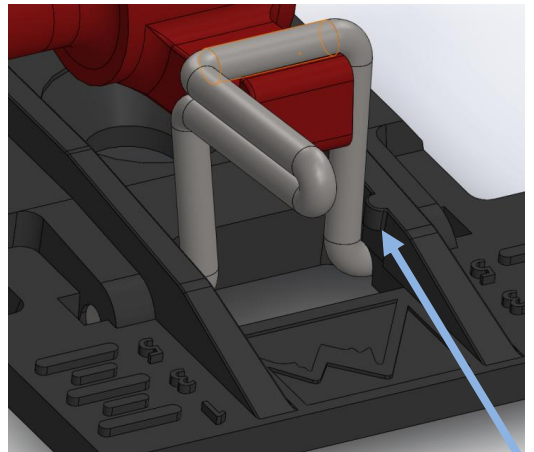
### 3 Red Bar and touring plate

#### Even stronger - more reliable and secure

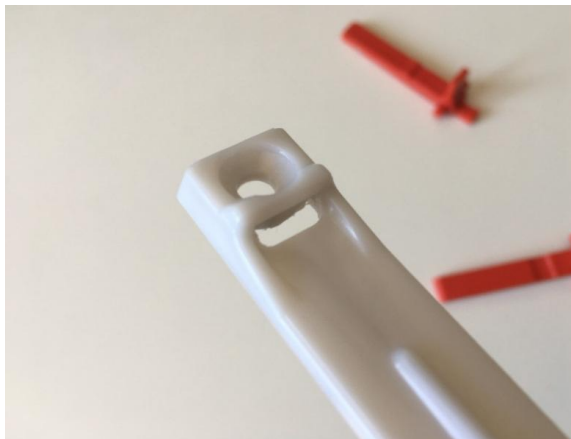
The improvement made to this set of pieces solves the problem of the spring box "jump" in hiking mode. Now the red bar is maintained at the front, thanks to a stud that fits into a groove in the touring plate. It can no longer slip off unexpectedly.

The rear locking is guaranteed by a vertical locking of the touring hook, thanks to a lateral stop. The touring hook has been redesigned for a better maintenance of the red bar.

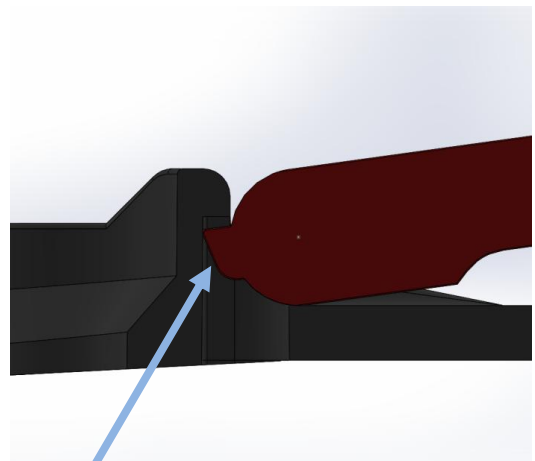
The new touring plate is wider and more rigid.



Touring hook blocked in vertical position - stop



Clearance for red bar stud



Stud maintained by the touring plate



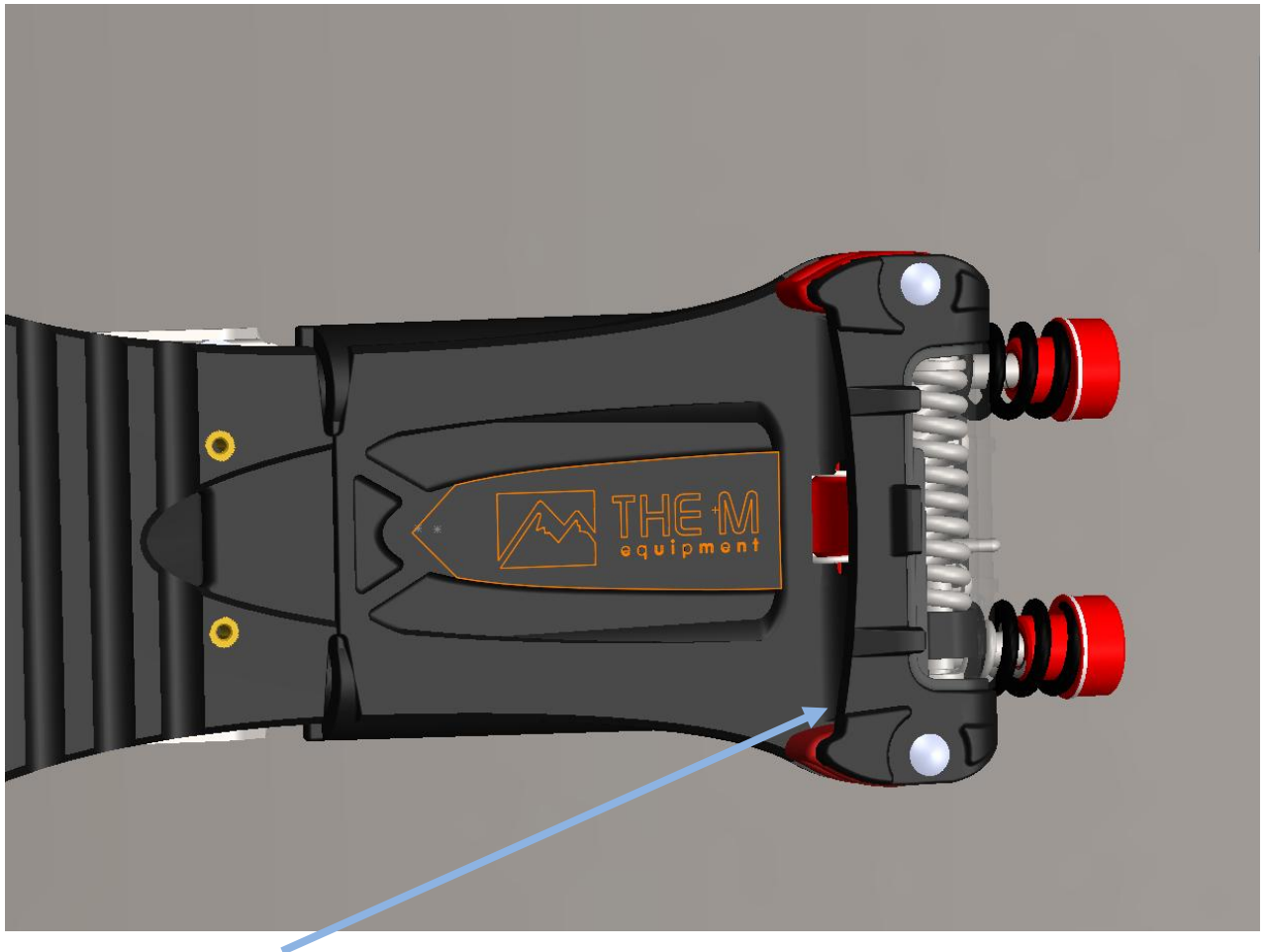
Red bar reinforced in the central zone  
(mostly necessary for redline spring tensioned over 3)

**Note: The color of the touring plate will be black in series.**

#### 4 Spring box

**Toujours aussi simple - toujours sécurisé avec un déchaussage plus naturel**

The NTN spring box duck but hook has been redesigned to make it easier to unhook the heel.



New design shape for easier release of NTN duck but when unhooking

#### 5 En résumé

MEIDJO 2.1 is the best telemark binding currently available. With its unique design it is always as light and easy to fit, thanks to the step in system of the THE M Equipment's patent, it guarantees a very natural telemark practice with an unequalled precision. Of course MEIDJO 2.1 always integrates its unique duck but release system that will protect your knees

With these new improvements, the practice of touring will be even more enjoyable and you will be able to go on a trip over several days in complete serenity.

MEIDJO 2.1 raises the level even higher by pushing the limits even further. More reliable, more secure and easier, MEIDJO 2.1 offers even more fun.